

MP1935-01

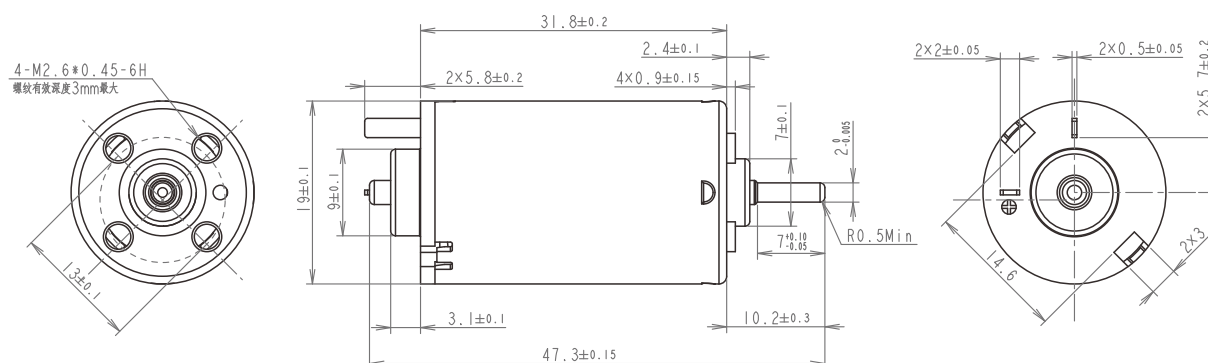
Φ19mm Graphite brush

Main parameters

- Four-magnetic pole
- 4.5W
- 6700rpm
- 33mNm



Technical illustration



Motor data (Rated value)

Rated voltage	V	12
Air -load speed	rpm	8200 ± 10%
No-load current	A	0.3 (Max)
Rated speed	rpm	6700 ± 10%
The rated torque	mNm	5.86
Rated current	A	0.55 ± 10%
Blocking torque	mNm	33 ± 7%
Blocking current	A	2.6 ± 10%
Maximum efficiency	%	65

Motor constants (Rated value)

Phase terminal resistance	Ω	4.5 ± 10%
Phase terminal inductance	mH	NA ± 10%
Torque constant	mNm/A	13.1 ± 20%
Speed constant	rpm/V	684 ± 20%
Speed/torque gradient	rpm/mNm	243.5 ± 20%
Mechanical time constant	ms	NA ± 20%
Rotor inertia	gcm ²	4 ± 20%

Note: Can be customized according to customer requirements